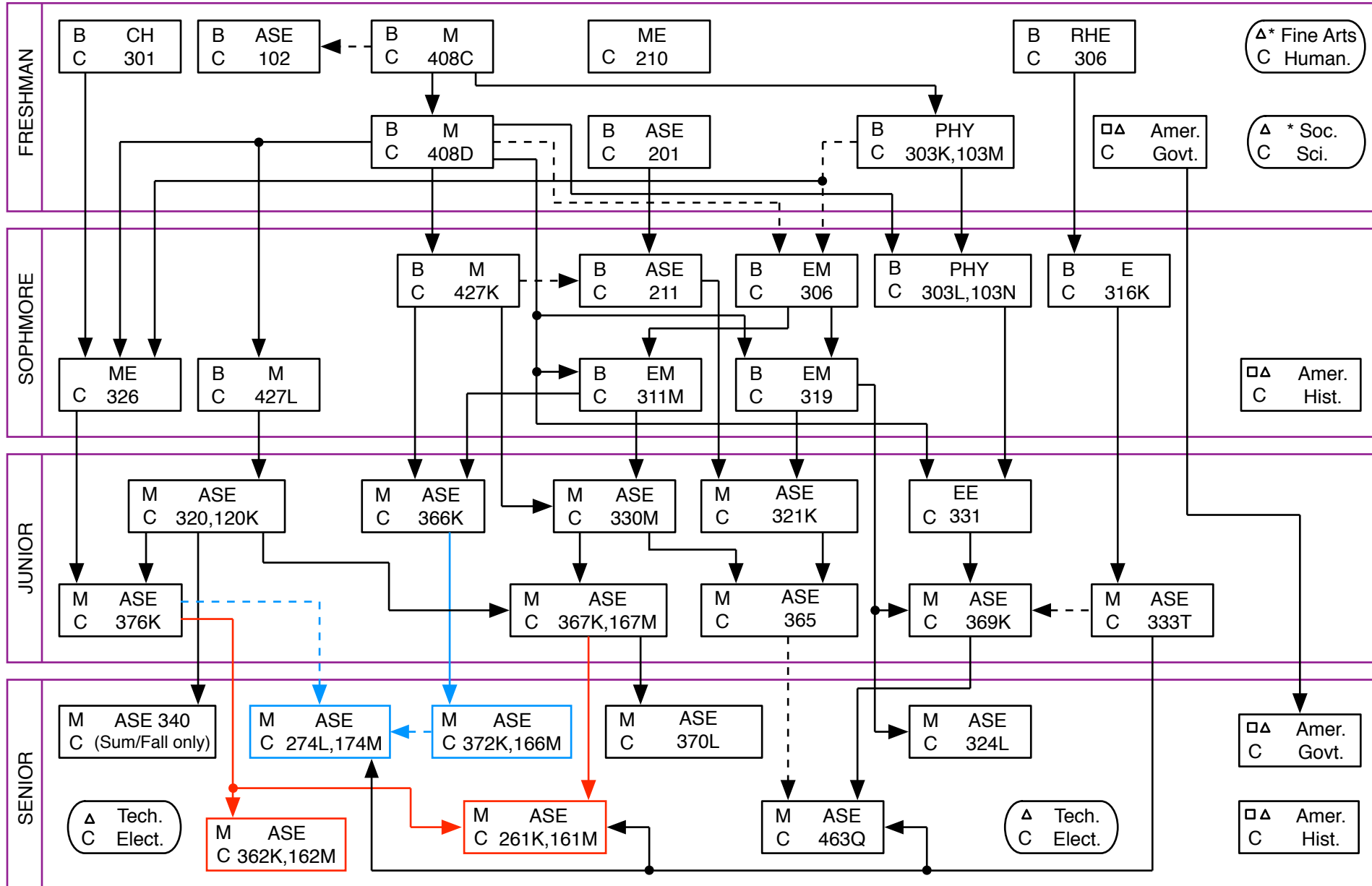


# 2004-2006 AEROSPACE ENGINEERING CURRICULUM

## PREREQUISITE FLOW CHART



Required Course	Required Prerequisite	B Basic Sequence Course	C C or better required
Elective Course	Credit or Registration Required	M Major Sequence Course	□ Courses in Hist. and Govt. must fulfill legislative requirement
<span style="border: 1px solid red; padding: 2px;">Spring</span> Atmospheric Technical Area	<span style="border: 1px solid blue; padding: 2px;">Fall</span> Space Technical Area	* May be taken Pass-Fall after 30 hours	Δ Check Prerequisite in Catalog

The Social Science and Fine Arts/Humanities elective may be taken in either order or simultaneously.