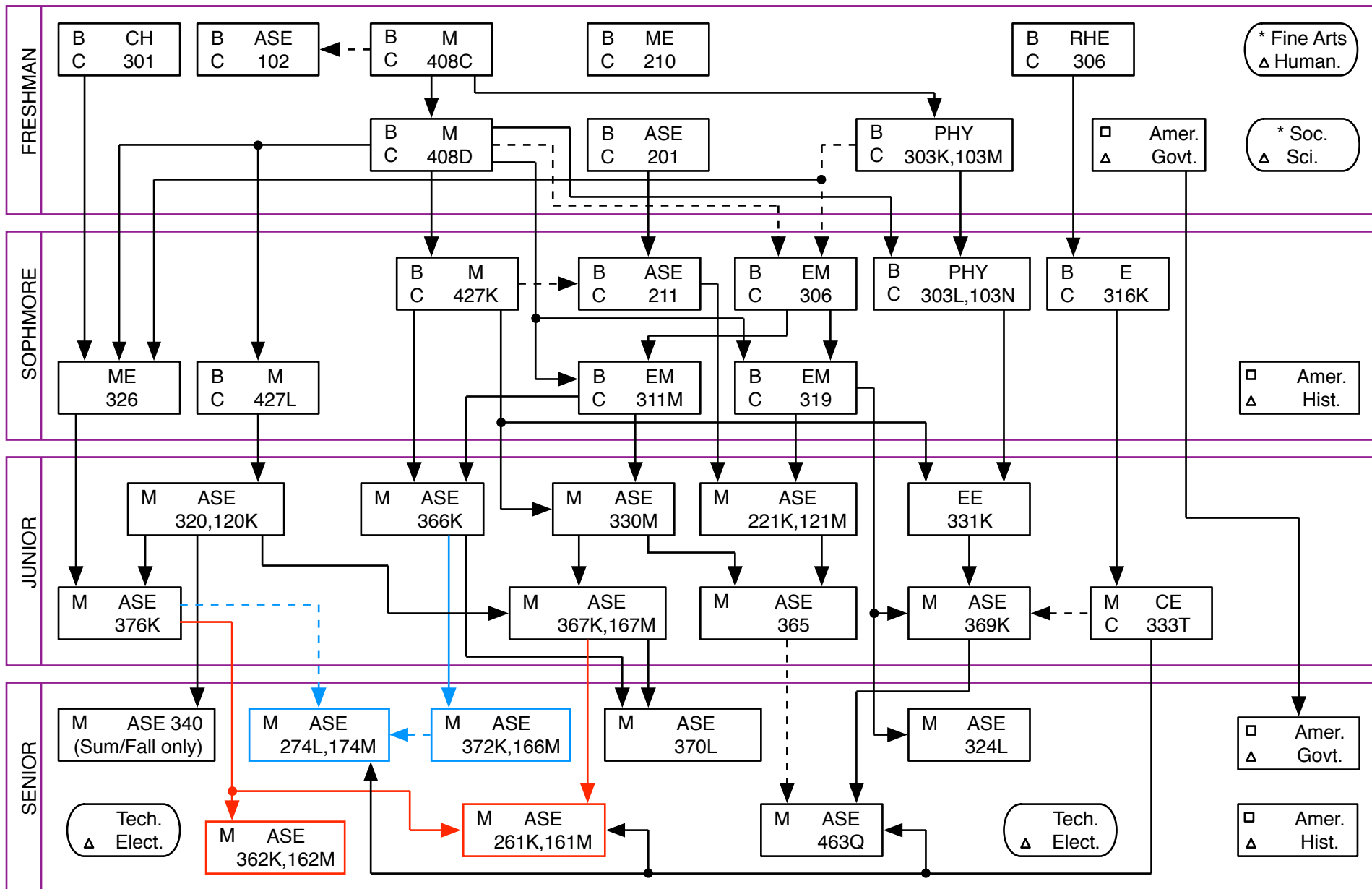


2002-2004 AEROSPACE ENGINEERING CURRICULUM

PREREQUISITE FLOW CHART

Beginning in summer 2005, students must earn a grade of C or better in ALL courses and their prerequisites to satisfy degree requirements for a Bachelor of Science in Aerospace Engineering. The only exceptions are the Fine Arts/Humanities and Social Science electives; these may be taken on a pass/fail basis if the minimum 30 college hours requirement has been satisfied.



The Social Science and Fine Arts/Humanities elective may be taken in either order or simultaneously.