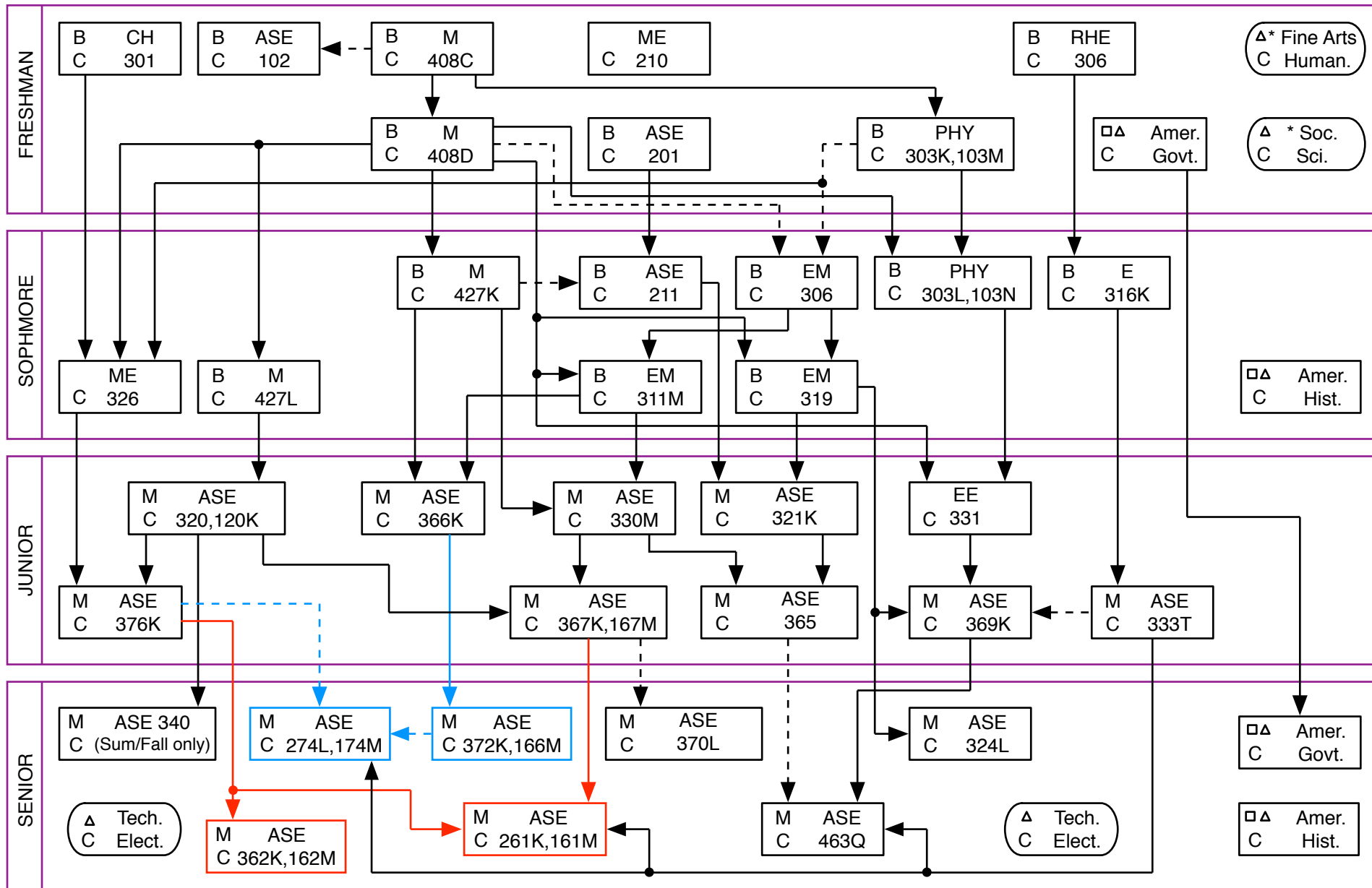


# 2006-2008 AEROSPACE ENGINEERING CURRICULUM

## PREREQUISITE FLOW CHART



<span style="border: 1px solid black; padding: 2px;"> </span> Required Course	<span style="border-bottom: 1px solid black; display: inline-block; width: 20px;"></span> → Required Prerequisite	B Basic Sequence Course	C C or better required
<span style="border: 1px solid black; border-radius: 50%; padding: 2px;"> </span> Elective Course	- - - → Credit or Registration Required	M Major Sequence Course	□Δ Courses in Hist. and Govt. must fulfill legislative requirement
<span style="border: 1px solid red; padding: 2px;">Spring</span> Atmospheric Technical Area	<span style="border: 1px solid blue; padding: 2px;">Fall</span> Space Technical Area	* May be taken Pass-Fall after 30 hours	Δ Check Prerequisite in Catalog

The Social Science and Fine Arts/Humanities elective may be taken in either order or simultaneously.